

CAMPERVANS

TIME FOR ADVENTURE



#itsyourtime >

2023 RANGE | [AUTO-SLEEPERS.COM](https://www.auto-sleepers.com)



TIME TO SEEK ADVENTURE

Our Panel Van Conversions are versatile vehicles, perfect for both everyday trips or longer holidays away. Their practical size will give you confidence when negotiating narrow country lanes, and finding a parking space at the supermarket. Inside, you'll find the luxury and quality you'd expect of an Auto-Sleeper motorhome.

Models Min Berth Max Berth

8





THE RANGE

FUNCTIONALITY MEETS COMFORT

The latest touring technology, fully equipped versatile interior layouts with plenty of space for all of your sports gear; these vehicles are built to take you on your adventure, whether it's a spontaneous surfing trip down to Cornwall or two weeks of excursions in the Peak District.

At the end of the day when you return to your campervan you know that the cosy comforts of a hot shower, an evening meal and relaxing furniture await.



Numatic Suspension

For enhanced performance the rear axle suspension has been upgraded to a numatic system.



All Year Touring

All our 2023 campervans are designed for all year round use - featuring efficient heating systems and excellent thermal insulation.



Underfloor LPG Gas Tank

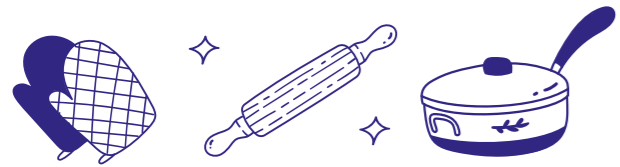
25 litre underfloor mounted LPG gas tank installed, offering hassle free practicality with numerous benefits.



It's all about the details; LED reading lights and chrome locker handles are just some of the little touches of quality that take our campervans to the next level.

**READY?
LETS GO!**

The flagship Auto-Sleeper Peugeot van conversion & camper vans range is undoubtedly the benchmark for every other panel van to be measured against. All Peugeot motorhomes and van conversions offer incredible features including Turbo Diesel engine, media pack, LPG gas and more. In addition to van conversions we have a large range of coachbuilt luxury motorhomes.



FUEL YOUR ADVENTURE

All that adventuring sure can build up an appetite! Fortunately all of our campervans have fully equipped kitchens, with three burner hobs and extractor fan, oven and grill, fridge freezer and microwave so you have all the tools at your disposal to whip up everything from a quick re-fuelling energy snack or a full heart-warming roast dinner with all the trimmings.

Fancy a bit of Alfresco dining? No problem, all our campervans feature external BBQ points so that you can easily hook up your gas BBQ and be cooking for all the family in minutes.



3 Burner Hob

Kitchens include a flexible 3 burner hob with separate oven and grill.



Microwave Oven

All Camervans feature a 230v Dometic microwave oven for convenient cooking on tour.



Fridge-Freezer

Keep your food fresh with the large 3 way refrigerator with freezer compartment.



WHAT DREAMS ARE MADE OF...



After a long day exploring your surroundings there's nothing better than relaxing on a comfortable and spacious bed. In the evening when its time to hit the hay, our campervans offer easy, intuitive conversion from lounge seating to sumptuous double and/or single beds depending on model.

Assuming the front lounge is used as the main space for congregating, couples staying in the 4 berth Fairford and Fairford Plus models even have the convenience of leaving the rear double bed made up to save time when the land of nod is calling. For those looking for a van with real luxury, the Kingham model features an opulent fixed French bed.



LED Lighting

Create the right atmosphere with energy efficient LED lighting including positionable reading spotlights.



Reflex™ Foam Upholstery

Premium quality Reflex™ foam in all soft furnishings for ultimate comfort.



Premium quality Reflex™ foam in all soft furnishings for ultimate comfort.

VERSATILE WASH AREAS



Multifunctional washrooms combine a shower and toilet area to save space and offer versatility, the Kemerton XL and Warwick XL models even include separate shower cubicles with an extractor fan. Each provides all the essentials for those rallying or looking to enjoy the occasional spot of wild camping. Thanks to ducted blown-air outlets and half-length mirrors the campervan washroom also is a great self-contained dressing area when additional privacy is required.



ROOM FOR ADVENTURE



Surf boards, kayaks and mountain bikes? If you're planning on bringing a lot of equipment with you on tour, no problem, our campervans have got the space you need. These vehicles have been designed from the ground up to allow for optimum internal storage for your kit.

There are also extensive exterior storage options available such as additional rear bike racks and roof rails.



THE RANGE

<p><i>Compact Versatility</i></p> <p>Symbol</p> <p>3 2 </p>	<p>Interior Layout >></p> <p>2508mm (Mirrors Extended)</p> <p>5413mm</p>	<p>Bed Options >></p>
<p><i>Commodious Comfort</i></p> <p>Symbol Plus</p> <p>3 2 </p>	<p>Interior Layout >></p> <p>2508mm (Mirrors Extended)</p> <p>5998mm</p>	<p>Bed Options >></p>
<p><i>The Couples Choice</i></p> <p>Warwick Duo</p> <p>2 2</p>	<p>Interior Layout >></p> <p>2508mm (Mirrors Extended)</p> <p>5998mm</p>	<p>Bed Options >></p>
<p><i>The Perfect Two Plus Two</i></p> <p>Fairford</p> <p>4 4 </p>	<p>Interior Layout >></p> <p>2508mm (Mirrors Extended)</p> <p>6363mm</p>	<p>Bed Options >></p>
<p><i>Class Leading Load Capacity</i></p> <p>Fairford Plus</p> <p>4 4 </p>	<p>Interior Layout >></p> <p>2508mm (Mirrors Extended)</p> <p>6363mm</p>	<p>Bed Options >></p>
<p><i>Classic Ensuite</i></p> <p>Kemerton XL</p> <p>3 2 </p>	<p>Interior Layout >></p> <p>2508mm (Mirrors Extended)</p> <p>6363mm</p>	<p>Bed Options >></p>
<p><i>King Of The Road</i></p> <p>Kingham</p> <p>2 2</p>	<p>Interior Layout >></p> <p>2508mm (Mirrors Extended)</p> <p>6363mm</p>	<p>Bed Options >></p>
<p><i>Ergonomically Stunning</i></p> <p>Warwick XL</p> <p>2 2</p>	<p>Interior Layout >></p> <p>2508mm (Mirrors Extended)</p> <p>6363mm</p>	<p>Bed Options >></p>



SCAN HERE
For full vehicle
specification for
the 2023 range.

EXPERIENCE POWER & PERFORMANCE

The latest in engine technology from Peugeot & Fiat

For your infotainment

Make your way to your holiday destination in comfort and with the latest infotainment technology. Auto-Sleepers campervan models feature Integrated Touch Screen Media Consoles with DAB Radio, rear observation cameras and Bluetooth® Connectivity.

Ultimate Comfort

Every detail of the new 2023 Auto-Sleeper range is designed to bring ultimate comfort to your time spent travelling onboard. 2023 Auto-Sleeper cabs feature supportive captain seats with arm-rests, leather steering wheel, cruise control and cab air-conditioning.

Safety First

2023 Auto-Sleeper Campervans feature the latest driving technology to keep you as safe as possible out on the road, all models feature:

- ESP/ESC, ABS Brakes with EBA and EBFD as standard
- Daytime Running Lights
- Tyre Pressure Sensors
- Pre-Installed S7 Vehicle Tracker
- Rear fog lights
- Driver and passenger airbags

ZENEC

2023 Auto-Sleepers Campervans built on a Peugeot Chassis Feature the all-new ZENEC Z-N965 DAB+ infotainer with 9" display screen.

Making phone calls, using Google or Apple maps to find a destination, playing music and sending or receiving messages is true mobile convenience made possible with the ZENEC Z-N965 DAB+ infotainer. Control and operate apps either via the device touchscreen or with the Apple Siri or Google's voice assistants.



CUTTING EDGE ENGINES

Auto-Sleepers 2023 Campervans are fitted with Peugeot's BlueHDi and Fiat's Multijet3 engines both offering the latest generation of fuel and environmentally efficient Diesel engines.



PEUGEOT (165bhp Manual Gearbox)

Auto-Sleepers Campervans built on the Peugeot Boxer chassis feature 165bhp Euro6 BlueHDi Diesel engines, designed and produced by the PSA Group.

Generated from a world-famous diesel heritage and innovative, automotive engineering excellence, BlueHDi complies with Euro 6 emission standards to deliver a driving experience rich in power and performance but with exceptional fuel economy and CO₂ emissions.



FIAT (140/180bhp Automatic Gearbox)

2023 Auto-Sleeper Fiat models offer top performance, extreme reliability and reduced fuel consumption & CO₂ emission thanks to Fiat's new generation of engines designed specifically for Campervans.

The new Ducato Multijet3 powertrain lineup offers a wide range of choices that makes your journey easier. 2023 models are available with a range of automatic engine options (140hp and 180hp power levels), all with reduced noise level, weight and best-in-class fuel consumption.



PRACTICAL FEATURES

When you venture out in your Auto-Sleeper, our aim is not only to provide you with features that offer opulent luxury and comfort, but that are also practical and useful to maximise your holiday enjoyment every time you travel.

Our expert motorhome designers have designed the internal layouts of our motorhomes to optimise efficiency of the living spaces; balancing freedom of

movement with storage of equipment and features.

To complement the design of the space, Auto-Sleepers install the finest materials and equipment to produce leisure vehicles of the highest standard.

To create as much internal space as possible, features such as the LPG gas tank and heating systems are mounted

underfloor. They are however still easily accessible when required.

To ensure that owners can use their vehicle all year round, every model meets grade 3 classification for thermal insulation, so there's nothing stopping you escaping to the outdoors.



All Year Touring

All our 2023 campervans are designed for all year round use- featuring efficient heating systems and excellent thermal insulation.



Underfloor Mounted LPG Tank

25 litre underfloor mounted LPG gas tank installed, offering hassle free practicality with numerous benefits



80W Solar Panel

Be more self-sufficient and save money on your next holiday thanks to the included Solar Panel.

High quality Reflex™ foam upholstery.

Auto-Sleepers soft furnishings are constructed with UK manufacturer Vitafoam's premium quality Reflex™ foam for superior comfort, durability, recovery and service life.



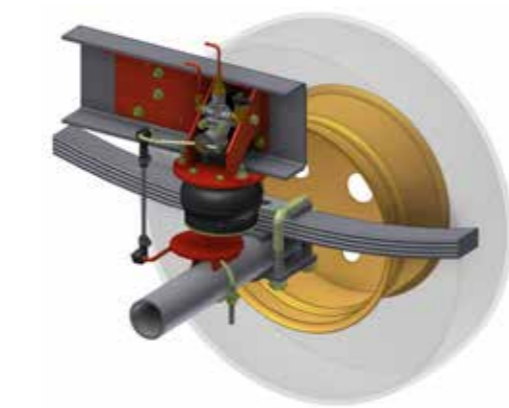
Spacious storage facilities

To help make the most of your space, our designers have included numerous space saving storage options to securely stow your luggage.



Dine Al'Fresco!

Feel like making the most of some glorious weather? All Auto-Sleeper models feature external BBQ points for quick and easy outdoor dining.



Top Drive Suspension

For enhanced performance, the rear axle suspension has been upgraded to a Top Drive semi-air suspension system.

Top Drive Air Suspension is an air assist which will return the ride height to where the manufacturer intended it to be, rather than down on the bump stops. This means your suspension will last longer and save you money in the long run. The lift attained on the suspension positions the shock absorber at the optimum height and therefore improves damping.



THE LITHIUM DIFFERENCE

Campervan models are fitted with Lithium iron phosphate leisure batteries (LiFePO4 or LFP) which offer lots of benefits compared to lead-acid batteries. Including, longer life span, extremely safe, lightweight, improved discharge and charge efficiency, all whilst providing a long life span.

- Heavy on power. Light on weight**
 Compared to lead-acid batteries lithium provides great energy density and are at least half the mass. Go for lithium if you want to reduce concerns about battery weight, performance and size.
- Long lifetime. Lower costs**
 A huge advantage to lithium technology is the life cycle rating which far surpasses alternative technologies. Lithium batteries operate ten times longer than lead-acid.
- Quick and efficient**
 Lithium can charge and discharge at a high rate providing maximum versatility. Fast charging minimizes downtime, and lithium's high rate of discharge is perfect for a burst of power.
- Low self-discharge**
 Lithium batteries have a very low self-discharge rate; <3% per month. Compared to lead-acid this is 10 times lower.
- Maintenance free**
 Lithium batteries don't require active maintenance to extend their service life and include built in automatic overcharge protection.



TN Lithium Iron Battery (std)

As standard 2023 Auto-Sleepers campervan models are fitted with TN Lithium iron phosphate leisure batteries (LiFePO4 or LFP). These are up to 40% lighter than conventional lead acid batteries at just 10.2kg, and using the technology of lithium iron phosphate cell provide superior safety, up to 3000 cycles and 100% Depth Of Discharge, under normal conditions.



Super B Epsilon (optional)

The Epsilon is a drop-in lead-acid replacement, with all the benefits of Lithium Iron Phosphate. It has superior weight reduction, enormous energy reserves and stable voltage even at extreme loads. This lithium battery is suitable for 12V installations. Eliminating the need for an external safety relay means the lithium battery is very easy to install. Super B lithium batteries live up to 5000 cycles without decreasing in performance. Resulting on the long term in lower costs.

THE LATEST TOURING TECHNOLOGY

For 2023, Auto-Sleeper models have been fitted with an exciting range of equipment to further enhance your trips away. Improved Security features, stylish exterior looks, plus be the envy of everyone on the campsite and stream all your favourite media from iPlayer, Netflix and Spotify thanks to internet connections up to 5x stronger than standard mobile connections.



Whale 6kW space and hot water heaters*
Campervans benefit from the space saving and crucially more efficient underfloor mounted Whale 6kW space heater and an internal Whale hot water heater.



ZENEC DAB+ infotainer with 9" display screen*
The ZENEC Z-N965 is a top-class DAB+ infotainer with rear observation camera. It offers true mobile convenience - calls, messages, music and access to Google or Apple maps.



5G Ready Wifi (SIM card required)
All 2023 Auto-Sleeper campervans are fitted with powerful 5G ready Mobile broadband equipment designed to improve internet connectivity on your touring excursions.



80W Solar Panel*
Be more self-sufficient and save money on your next holiday thanks to the included Solar Panel.



Teleco Media Pack (optional)
2023 Auto-Sleeper models can benefit from the updated media pack featuring the Teleco 65cm system.



GPS Sargent S7 Tracker Pre-Installed (£100 Annual Subscription applicable)
Auto-Sleeper motorhomes are protected 24/7 with the Sargent S7 Tracker.



19.5" Full HD Smart TV with 2x10W Soundbar
Watch Full HD through your regular aerial or satellite dish without the need for extra equipment and now with integrated Freesat.



Underfloor Mounted LPG Tank
25 litre underfloor mounted LPG gas tank installed, offering hassle free practicality with numerous benefits.



CRIS VIN CHIP™
VIN CHIP™ is the theft deterrent and identification system for motorhomes. It is unique as it uses both visible and invisible markings containing your Auto-Sleeper's specific 17 digit VIN.



Truma Aventa Comfort (optional)
Enjoy a pleasant indoor climate thanks to the Truma Aventa Comfort roof-mounted air conditioning system.

*Premium Pack *Winter Pack



Harmony

Utility Management System

EASY ACCESS CONTROLS

You can relax knowing that your Auto-Sleeper is fitted with the Harmony Utility Management System. The Harmony UMS combines the latest electrical systems from innovative UK electrical manufacturer Sargent and renowned German manufacturer Truma. The UMS allows for straightforward control of your on-board leisure facilities from one, easily accessible location. Plus, for even greater peace of mind, your UMS features Sargent's S7 vehicle tracker, which can be monitored remotely using 'Auto-Sleepers LOCATE.'

MANAGE YOUR ONBOARD SYSTEMS

The LCD touch-screen control panel allows you to easily monitor and control your motorhome's on-board systems. This functional all-in-one panel makes it simple to manage your lighting, battery and water so that you can spend more time enjoying your trips away.

TEMPERATURE CONTROL

The digital Truma CP plus control panel allows you to set the temperature in your Auto-Sleeper motorhome quickly and easily. Choose functions like fan speeds and night time economy mode instantly. The automatic climate control ensures a constant indoor temperature in all weathers.

LOCATION TRACKER

Check the location of your motorhome and see the location of all Auto-Sleeper approved dealer workshops.

SAFE HEATING ON THE MOVE

DRIVE SAFE REGULATOR

For 2023, all Auto-Sleeper models feature an innovative gas pressure regulator from Truma. It offers its users a safe and convenient supply of gas when on the move. With an integrated gas flow monitor, you can use your liquid gas heater whilst driving.

How safe is it to operate a gas system for heating while you are on the move? Truma has the answer: for years, we have been further developing technical standards for protective devices that enable heating whilst driving; and now we have also incorporated a crash sensor into our new generation of gas pressure regulation systems.

This sensor even responds to accidents that take place at low impact speeds of 10mph, closing the gas supply before damage can be caused to the lines or devices.

So you can arrive at your destination with everyone feeling relaxed, reassured, and safe. Truma gas pressure regulation systems offer everything required to ensure safe heating on the move, throughout the whole of Europe.

For further information on Truma products please visit:
<https://www.truma.com/uk/en/home/>



For everyone who chooses Truma - valid only when used with our regulators, filters and hoses. Register now at www.truma.com/regulatorwarranty

FEATURES

JOIN THE CLUB

www.asoc.uk.com

The Auto-Sleepers Owners' Club was formed in 1989 and now has a membership exceeding 2,400. Closely allied with the Company, membership of the Club is open to all Auto-Sleepers owners.

Benefits include a monthly newsletter and rallies throughout the year, both at home and abroad. Enquiry forms are available through the Company or by visiting the club website.





Better Connected



All 2023 Auto-Sleeper leisure vehicles are fitted with powerful Mobile broadband equipment designed to significantly improve internet connectivity on your touring excursions. Each vehicle features a discreet Avtex Roof Antenna and WiFi router box, to provide a reliable and stable internet connection, so that you can do everything from streaming TV to remaining connected to the web and e-mail for work or for pleasure without having to rely on campsite WiFi or poor mobile signal.

The WiFi box is factory unlocked and unbranded which gives you a great advantage over other network supplied and locked devices. The device can connect up to 100 devices with download speeds of 150Mbps and for wired connections there are 4x ethernet ports. The unit also includes a simplified customer on screen display to easily toggle between LTE and Wi-Fi when available..

A WiFi device is a great tool to have, but it still requires two things – a decent data connection and its own SIM card with a paid for data plan, either on a contract or a Pay-As-You-Go basis. In terms of picking up a connection, a WiFi device is arguably not much better than a phone however, what your WiFi device has which mobile phones do not is the facility to connect to the external antenna mounted on the roof of your Auto-Sleeper.

This is where Mobile Broadband really comes into its own, the addition of the rooftop mounted antenna could increase your WiFi device performance by up to 5x. Antennas are a difficult

subject for network operators, since to say to customers they need an antenna to access their network undermines the coverage on which they compete with each other. This is why they are not better promoted but in practice, areas marked as 'no service' on their coverage maps could in fact be locations in which you could obtain a very usable, independent internet connection for use in your motorhome either when stationary or in motion. So with the installation of the mobile kit in your Auto-Sleeper you are now even better connected when on your adventures.

Key Features

Antenna

- 3G/4G/5G compatible antenna
- Low profile omni directional MiMo antenna
- High Gain
- Works in motion or stationary

Router

- 4G LTE Catt 4 with speeds up to 150 Mbps
- Wireless Access Point with Hotspot functionality
- Dual SIM ensures coverage and reduces roaming cost
- Connect to existing WiFi network to reduce data cost
- WAN failover - automatic switch to available backup connection
- 4 x Ethernet ports
- Remote management System Support
- 12V / 24V / mains operation
- E-mark certified for automotive installations

TIME TO HEAT THINGS UP



2023 Peugeot Campervans now benefit from the space saving and crucially more efficient underfloor mounted Whale 6kW space heater and an internal Whale hot water heater. The robust yet lightweight underfloor Whale Space Heater is mounted to the chassis underneath the vehicle, maximising space inside the vehicle.

In practise the new equipment has proven to be incredibly efficient, during grade 3 testing the new heater was able to heat the interior of the campervans faster, even when using just electric, than older models

FABRIC OPTIONS

Every Auto-Sleeper comes with a choice of colourways from the latest range of hand-picked Belgian 'Vogue Slate' or 'Sagrada' fabrics, providing a luxurious finish for that added personal touch.

Vogue Slate



Sagrada



THULE LOADING BARS

Campervans have the option of being fitted with Thule load bearing rails, perfect for transporting large sporting equipment. Installed as standard on the Fairford Plus.

SEAT BELT SAFETY

Seat belts for the front cab seats in motorhomes have always been installed by the base vehicle manufacturer since the law required them to do so and wearing them is a legal requirement whenever the vehicle is being driven.

However, seat belts in the rear of a motorhome are more complicated; where a designated travelling seat is available it must be used, however, where there isn't

one it's not illegal to travel in the rear without wearing one at present, although this could well change in the future.

In the interests of everyone's safety and peace of mind, Auto-Sleepers always recommend when travelling in the rear of a motorhome, it should be in a designated travelling seat with the three point seat-belts in use.

Look out for the red seat-belt symbol next to the layout to indicate the availability of designated rear travel seats which have been tested and approved as fully compliant with European whole vehicle type approval for your total safety and peace of mind.



Situation	Front Seat	Rear Seat	Responsibility
Driver	Seat belt must be worn if fitted	-	Driver
Child under 3 years of age	Seat belt must be worn if fitted	Correct child restraint must be used	Driver
Child from 3rd birthday up to 135cm in height or 12th birthday, whichever they reach first.	Correct child restraint must be used	Correct child restraint must be used where seat belts are fitted. Must use adult belt in rear seat if correct child restraint is not available.	Driver
Child 12 or 13 years of age or over 135cm in height	Seat belt must be worn if fitted	Seat belt must be worn if fitted	Driver
Adult passengers	Seat belt must be worn if fitted	Seat belt must be worn if fitted	Passenger



OPTIONS



AVTEX TV & SOUNDBAR

SMART ENTERTAINMENT

2023 Auto-Sleeper models feature the new Avtex fully loaded Smart W195TS television and SB195BT soundbar. Connect the W195TS to the internet and discover a whole new world of entertainment from premium streaming services such as Netflix, Amazon Prime, Disney+, iPlayer, Now TV, Sky Store, YouTube and much more. Pair via Bluetooth connection to the SB195BT to immerse yourself in deep, rich velvety tones (other Bluetooth enabled devices are compatible).

Watch Full HD through your regular aerial or satellite dish without the need for extra equipment and now with integrated Freesat enjoy a full 7 day programme guide on both terrestrial and satellite platforms.

KEY FEATURES:

- 19.5" Full HD Smart TV with Built-in FreeSat Satellite decoder with 7 day EPG
- Ultra compact edge-to-edge design
- Bluetooth connectivity
- Wi-Fi built-in 2.4 & 5Ghz
- Wirelessly cast from your mobile devices (both Android and iOS (Apple devices))
- Timer record from programme guide (EPG)
- Pause/playback live TV Instant record to external HDD
- Voice control (optional with magic remote)
- 240v AC / 12v/24v DC

MEDIA PACK (Optional)

HOME ENTERTAINMENT ON THE MOVE

Press and go, the convenience of having all your TV channels ready to watch in an instant with the Auto-Sleepers' Media Pack. The pack features the Telesat BT Automatic Satellite System, a versatile satellite system providing you with TV and radio coverage throughout the UK and Europe.

FULLY AUTOMATIC

Automatic Satellite Antenna HD with 16 saved Satellites. Equipped with DVB-S2 control unit with OLED display and 2 keys to start a satellite search or lower the dish. Can also be controlled via Bluetooth from your Smartphone via the TELECO App.

KEY FEATURES:

- This latest model is equipped with a 2 position unit Astra 1 (19.2°E), Astra 2 (28°E)
- Twin LNB as Standard. For use with PVR's, SKY+™ or 2 receivers in different locations
- Fully Automatic: Includes a compact control box to automatically locate the correct satellite with a single button-press
- Clear and easy to use DVB-S2 control unit with OLED display
- Powered by your receiver
- A 65cm offset dish giving this satellite an increased range
- All weather resistant and robust casing
- Complete with operation manual & set up guide
- Compatible with any SD/HD Free to air satellite receiver
- Safety system with automatic closing of the antenna at vehicle start



SERVICE YOU CAN COUNT ON



Contact Us

Service Opening Hours:
Mon - Thurs : 7:30am - 5pm
Fri: 7.30am-3pm
Sat-Sun: Closed
Service Department
+44 (0) 1386 853511
Parts Department
+44 (0) 1386 842630

AUTO-SLEEPERS AFTERCARE & SERVICE CENTRE

The Auto-Sleeper Service Centre caters specifically for the needs of the motorhome, campervan and caravan owner. Located around the corner from the Auto-Sleeper factory in Willersey, near Evesham, Worcestershire. We offer annual habitation checks, accessories and modifications. Additionally, we can also offer motorhome, caravan and campervan repairs, accident or insurance claims.

The Service Centre technicians have many years' service with the company and are fully trained. Although specialising in Auto-Sleeper models, work can be carried out on any type of vehicle or caravan irrespective of make but please note we

are unable to undertake warranty work on other manufacturers vehicles.

The habitation check covers the motorhomes/caravan chassis, body, fixtures, fittings and include full gas and electric system checks. Base vehicle servicing and Mot's can be arranged off site if necessary.

Dedicated to customer care, the Service Centre offers a comfortable waiting room, refreshments and mains hook-ups for an overnight stay.

AUTO-SLEEPERS PARTS DEPARTMENT

The Auto-Sleepers Parts Department aims to provide parts for Auto-Sleepers old and new. When contacting this Department, customers should have to hand the Auto-Sleepers production number of their vehicle (this can be found in the vehicle

glovebox). We endeavour to provide parts for older vehicles, but are unable to guarantee to supply parts that are no longer manufactured by our suppliers.

To find out more about motorhome servicing please visit:
www.auto-sleepers.com/owners/servicing-and-care/motorhome-servicing

To find out more about caravan services here please visit:
www.auto-sleepers.com/owners/servicing-and-care/caravan-servicing

WARRANTY

AUTO-SLEEPERS MOTORHOME WARRANTY

You can be confident about owning an Auto-Sleeper, because we are confident about the way in which we build them. The conversion work of every Auto-Sleeper is covered by our own three year warranty* scheme plus and an additional three year water ingress warranty*.

The cover is not restricted to mileage and protects all aspects of the motorhome.

*Terms and conditions apply, please refer to your handbook for further information.

PEUGEOT WARRANTY

All motorhomes first registered in the UK and purchased from a UK Peugeot Approved Manufacturer benefit from a Peugeot 3 Year unlimited mileage warranty and an 3 year paint guarantee provided by the Peugeot Dealer Network in the UK.

This additional warranty carries a mileage limit of 100,000 miles from first registration and is dependent upon the manufacturer's recommended servicing being carried out at the specified time or distance intervals. For full terms and conditions, please consult your Peugeot Dealer in the UK.

Peugeot Assist

All new Peugeot motorhomes come with 3 years' Peugeot Assistance - breakdown assistance service.

Peugeot Assistance includes:

- European cover
- Homestart
- Roadside assistance
- Vehicle recovery
- Free replacement car or hotel accommodation if required.

For this service call 0800 197 2045

FIAT WARRANTY

Fiat provides a manufacturer's warranty for the base vehicle (as supplied to Auto-Sleepers) for a period of two years. For any issues with the base vehicle please contact your local Fiat dealer.

Your base vehicle warranty is subject to the terms and conditions contained in the respective chassis manufacturers' service literature. Your vehicle must be serviced in accordance with the chassis manufacturer's requirements.

Fiat Camper Assistance

All new Fiat motorhomes come with Fiat Camper Assistance the dedicated roadside assistance service for Fiat motorhome owners. Owners of Fiat motorhomes can benefit from the following:

- 1500 service centres throughout Europe
- Roadside assistance 24 hours a day
- Fiat Customer Care Call Centre.

For this service call the universal multilingual telephone number 00800 3428 1111# - for Ducato motorhome owners (even those with older models) in 13 languages and available in 44 countries.

Services include:

- Information (also to callers who are not Ducato customers)
- Customer Care
- Roadside assistance for Ducato customers, 24 hours a day, 7 days a week.

An alternative number is also available: +39 0244412160.

#free depending on country and operator.

OUR DEALER NETWORK

BC Motorhomes

Heathfield Road
Ayr, Scotland,
KA8 9BN
Tel: 01292 262 233

Central Motorhomes

Redbrae Business Park
3 Drumalig Road, The Temple
Lisburn, BT27 6UD
Tel: 02897 510 230

Choose Leisure

The Showroom
Howfield Lane/A28, Chartham Can-
terbury, Kent, CT4 7HG
Tel: 01227 733 557

Derby Motorhomes

Chapel Street
Derby, DE1 3GU
Tel: 01332 360 222

Dickson's of Perth

170 Dunkeld Road
Perth, Scotland,
PH1 3AA
Tel: 01738 626 287

Go European

Motorhomes & Caravans
80 Lakeside Boulevard,
Cannock,
WS11 0GW
Tel: 01543 399 599

Highland Campers

Kerrowaird Farm Steading
Dalcross, Inverness,
Scotland, IV2 7JQ
Tel: 01667 493 976

Marquis Berkshire

Oxford Road
Chieveley, Nr Newbury
Berkshire, RG20 8RU
Tel: 01635 248 888

Marquis Devon

Lee Mill, Ivybridge
Plymouth, Devon
PL21 9EG
Tel: 01752 892 977

Marquis Dorset

41-45 Old Wareham Road
Poole, Dorset
BH12 4QN
Tel: 01202 738 777

Marquis Durham

Durham Road, Birtley
Chester Le Street
County Durham, DH3 2QZ
Tel: 0191 492 2480

Marquis Exeter

Sandygate
Clyst Road, Exeter
Devon, EX2 7JL
Tel: 01392 446 250

Marquis Gloucestershire

Mill Avon Holiday Park
Gloucester Road, Tewkesbury
Gloucestershire, GL20 5SW
Tel: 01684 296 222

Marquis Hampshire

Winchester Road,
Lower Upham, Nr Southampton
Hampshire, SO32 1HA
Tel: 01489 860 666

Marquis Lancashire

Riversway Leisure Village
Chain Caul Road
Preston, Lancashire, PR2 2PD
Tel: 01772 731 313

Marquis Northants

The Causeway
Great Billing
Northampton, NN3 9EX
Tel: 01604 402 888

Marquis South Yorkshire

Rotherham Road
Dinnington, Sheffield
South Yorkshire, S25 3RF
Tel: 01909 495 900

Marquis Suffolk

Farthing Road
Sproughton, Ipswich
Suffolk, IP1 5AP
Tel: 01473 747 675

Marquis Surrey

Station Approach
Gomshall, Guildford
Surrey, GU5 9NX
Tel: 01483 203 335

Marquis Sussex

Eastbourne Road (A22)
Golden Cross
East Sussex, BN27 4AN
Tel: 01825 873 377

Moran Motorhomes

Orieton Road
Ludlow Business Park
Ludlow, Shropshire, SY8 1XF
Tel: 01584 876 911

Nick Whale Motorhomes

Lauriston Business Park Pitchill
Evesham, Worcestershire
WR11 8SN
Tel: 01386 870 852

Premier Motorhomes

Premier Business Park
Main Road, Birdham
Chichester, Sussex, PO20 7BU
Tel: 01243 511 189

Simpsons Motorhomes

Suffolk Road
Great Yarmouth, Norfolk
NR31 0LN
Tel: 01493 601 696

SMC Motorhomes

Northern Road,
Newark, Nottinghamshire,
NG24 2EU
Tel: 01636 670 760

Spinney Motor Caravans

Knutsford Road
Cranage Nr Holmes Chapel, Chesh-
ire, CW4 8HJ
Tel: 01477 535 808

Stowford South Wales

Ely Valley Road
Coed Ely, Llantrisant
CF39 8BL
Tel: 01443 672 333

Venture Caravans

The Rose Gardens
Cambridge Road, Hitchin
Hertfordshire, SG4 0JX
Tel: 01462 452 856

West Country Motorhomes

Brent Knoll
Bristol Road (A38), Brent Knoll High-
bridge, Somerset, TA9 4HG
Tel: 01278 761 200

West Country Motorhomes

Swindon
20 Turnpike Road, Blunsdon
Swindon, Wiltshire, SN26 7EA
Tel: 01793 726 666

3A's Leisure The Showground

Carmarthenshire Showground
Carmarthen, Dyfed
SA33 5DR
Tel: 01267 234 459

Auto-Sleepers Limited, Orchard Works, Willersey, Nr Broadway, Worcestershire WR12 7QF, England
Tel: +44 (0)1386 853 338 | www.auto-sleepers.com

This brochure is for guidance purposes only. Please be sure to check our full current and technical specifications with your retailer before placing your order. This brochure does not constitute an offer by the Auto-Sleepers Group Ltd (Auto-Sleepers). It's the continual policy of Mercedes-Benz and Auto-Sleepers to seek to improve their vehicles in every way and so whilst every effort has been made to ensure the details set out in this brochure were correct at the time of going to press, they are unable to accept responsibility for discrepancies between these and subsequent models shown. Auto-Sleepers reserve the right to alter the specifications and price at any time without prior notice.

Auto-Sleepers design its Motorhomes to provide a variety of potential uses for its customers. Each vehicle features the optimum storage, fluid, seating and sleeping capabilities. While the customer enjoys this potential, they have the responsibility to select the proper combinations of loads without exceeding the chassis weight capacities. Bedding and "dress" items shown in photography are used for illustrative purposes only and are not part of the vehicle specification. For more details on the end of life vehicle directive for Mercedes - please visit www.mercedes-benz.co.uk. Please note that imperial conversions have been rounded to the nearest inch. Dimensions are based on vehicles with standard wheels. All weights and dimensions are subject to manufacturing tolerances and refer to standard specification models and do not include any options. Data & accuracy: The contents of this publication are as accurate as possible at the time of going to press (Oct 2021), but this brochure should not be regarded as an infallible guide to current specifications, nor does it constitute an offer for the sale of any particular vehicle. Details of performance, dimensions and weights are subject to minor deviations within manufacturer tolerance limits (max +/- 5%). Effective 1st October 2021. This literature supersedes all others.